



YONGYI TOOLS

**High quality fully ground
cobalt twist drill**



New!



Pilot point: free-cutting stainless steel and hard steel plate



Parabolic flute: while cutting, the iron filings are eliminated easily and the heat is dissipated quickly in using process



Universal handle design: easy to replace, compatible with all kinds of electric hand drill, bench drill and processing equipment, etc.

- ★ **Application:** suitable for drilling iron plate, steel plate, stainless steel, aluminum, wood and other profiles
- ★ **Features:** high speed steel M2, high precision and good durability



M35 cobalt black & golden multi-edge drill



135° split point, sharp and durable cutter point, stable cutting feed



Triangle shank design, easy to clamp, preventing the handle sliding, so as to increase the cutting force

- ★ **Application:** suitable for drilling stainless steel, carbon steel, cast iron, die steel, etc.
- ★ **Features:** high speed steel M35 (with 5% cobalt), more sturdy and durable

Twist Drill Bit

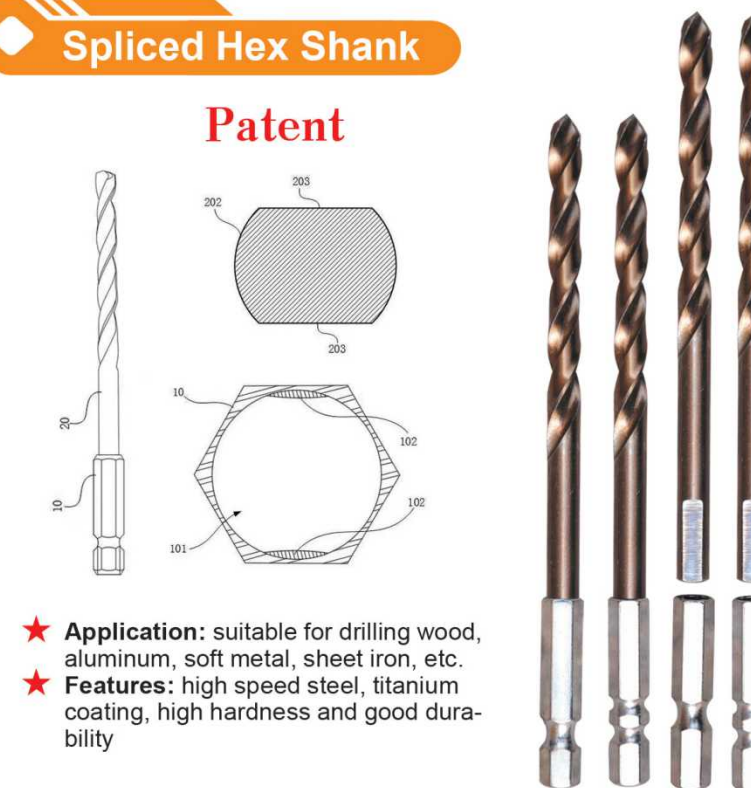


- ★ **Application:** suitable for drilling stainless steel, cobalt-copper plate, aluminum alloy, etc.
- ★ **Features:** superior material high speed steel, extremely high hardness and superfine abrasion performance

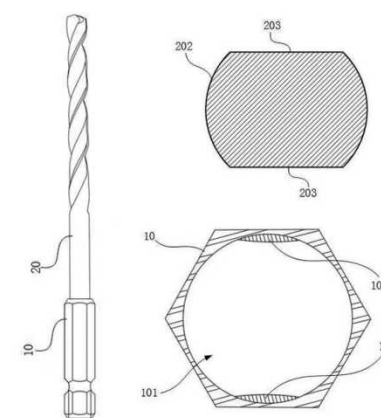
Integral Hex Shank



Spliced Hex Shank



Patent



- ★ **Application:** suitable for drilling wood, aluminum, soft metal, sheet iron, etc.
- ★ **Features:** high speed steel, titanium coating, high hardness and good durability



YONGYI TOOLS

Professional Metal Cutting Tool Manufacturer



ZHENJIANG YONGYI TOOLS CO., LTD.

ADD: No. 38, Liyuan Village, Yaoqiao Town,
New District, Zhenjiang City
TEL: 0511-83388641 83388642 83388643
Http: www.yongyitools.com
E-mail: zhaowj@263.net

Step Drill / Pagoda Drill

SHARP TIP WITHOUT BURRS
75° helix angle for smoother chip removal

CHIP BREAKER
Effectively prevent metal splash

NON-SLIP HEXAGONAL HANDLE
Hexagonal handle design effective anti-skid, installation is not loose

SPIRAL FLUTE STEP DRILL BIT

ONE DRILL FOR MULTIPLE PURPOSES **INDUSTRIAL GRADE**

Surface Treatment

Bright Finish Titanium Coating Black Oxide Black&Golden Cobalt Coating Amber Color

Cross-hole Cutter

Material: high speed steel
Application: suitable for processing carbon steel, aluminum copper parts, steel parts, acrylic plastic
Features: high hardness, wear resistance, accurate positioning, good chip removal and high efficiency
Note: when the working temperature of chamfering cutter is high, water or cutting oil shall be added to cool, otherwise it will burn out

Chamfering Tool for Inner Hole

ONE-PASS HOLE-DEBURRING-FRONT BACK OR BOTH

Simple and Rugged One-Piece Construction
Allows cutting chips to clear easily

Tool sizes from .0315"(0.8mm) to .78"(20mm)

REAMING/DRILLING CHAMFERING/DEBURRING

You can achieve one-time processing of large holes, no need to replace the drill bit and positioning hole.

TYPE X OPENINGS
118° split point tip increases cutting speed with self-centering and prevents walking, clear chips and particles faster

LASER MARKING
Sizes are laser etched into the metal so they will not wear out even after repeated use, make precise drilling easy

TRIANGLE SHANK
Universal handle, reliable and durable

TiAlN Coating

TiAlN Coating: It offers high resistance to heat and oxidation. This enables working with a higher cutting speed and thus accelerating working processes. Compared to uncoated tools, TiAlN coating, increase an up to ten times longer service life.

Nano-blue Coating

Nano-blue Coating: It enables the tool's cutting edge to retain crucial sharpness and lubricity with an extreme Nano hardness and heat resistance, which provides longevity and produces cutting results of the highest quality.

New!

Countersink

Material: high speed steel
Type: single flute, three flutes, five flutes
Features: precise chamfering, once forming
Angle: 60°, 90°, 120°
Application: 304 stainless steel, die steel, aluminum plate, copper plate, acrylic plate, plastic and other materials

Most suitable for mass - production operation and readily adaptable to all types of production machines
Used by the leading automobile makers all over the world

