



ZOJAR 中杰®

中杰杰鼎实业有限公司
ZHONGJIE JIEDING INDUSTRIAL CO.,LTD.

Tel: 0571-8863 6666

Email: sales01@chzjjd.com

Http: www.zojar.com



| Contents

1
Company
Profile

2
Manufacture

3
Products
Types

4
Patent
Certificate

5
Honor
certificate

| Company Profile

Our company is a professional pneumatic nailing machine manufacturer and has been engaged in the research, development and production of pneumatic nailing machines for 25 years. The company passed the ISO9001 international quality management system certification in 2000; introduced the "Enterprise Standardized Management System" and "Human Resources Management System" in 2007; and passed the national high-tech certification in 2018. The company holds more than 50 national patented technologies and is one of the first units in my country invited to participate in the drafting of the "National Standard for Pneumatic Nailing Machines".

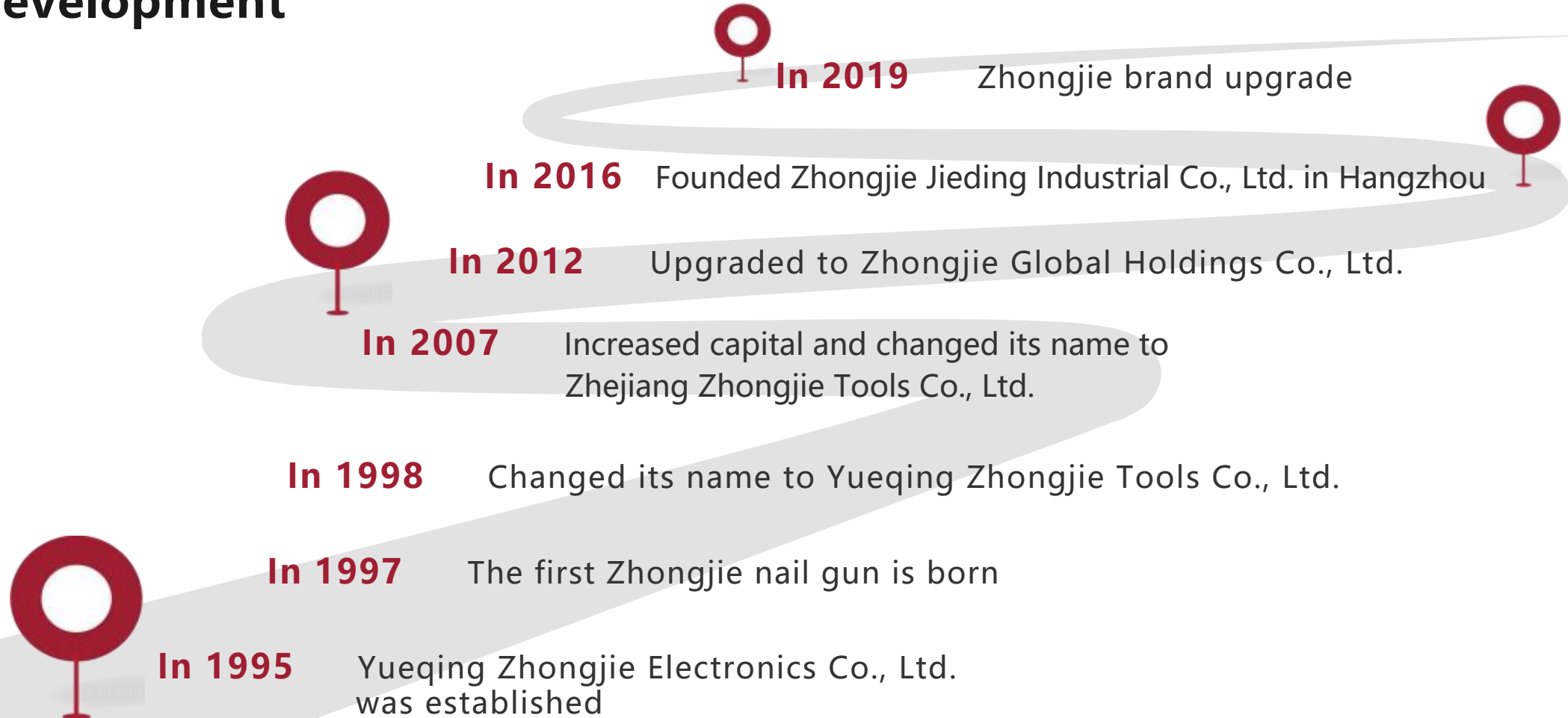
The company has a registered capital of 110 million yuan, covering an area of more than 60 acres and a construction area of 80,000 square meters. It currently has more than 500 employees, including more than 80 professional engineering and technical personnel. In 2019, the company sold more than 4 million units of pneumatic nailing machines, accounting for 35%-40% of the total sales volume of China's pneumatic nailing machine market. It is currently the company that ranks first in terms of production and sales of pneumatic nailing machines in China. The company has a monthly production capacity of 500,000 pneumatic nailing machines, which not only meets its own brand market sales, but also provides ODM production business for many well-known domestic brands and team customers (Dongcheng, Dayi, Boda, Persia, INGCO, TOTAL, Han Guda, Jiajiashi, etc.).

| Zhongjie history

Zhongjie was founded in 1995. The company focuses on the development, production and sales of pneumatic tool products. It is the most influential manufacturer of four series of products in China: "pneumatic nailing machine, pneumatic spray gun, impact pneumatic screwdriver, and air hose". The manufacturer is one of the first companies in my country to be invited to participate in the drafting of the "National Standard for Pneumatic Nailers", "National Standard for Pneumatic Paint Spray Guns", "National Standard for Impact Pneumatic Triggers", and "National Standard for Impact Pneumatic Screwdrivers". "Becoming the most outstanding brand supplier of pneumatic tools in China" is the goal that every Zhongjie strives for.



| Development



| Manufacturing - Testing Equipment 1



Three coordinate measuring machine

High-precision detection of size and shape of various parts



Metallographic tester

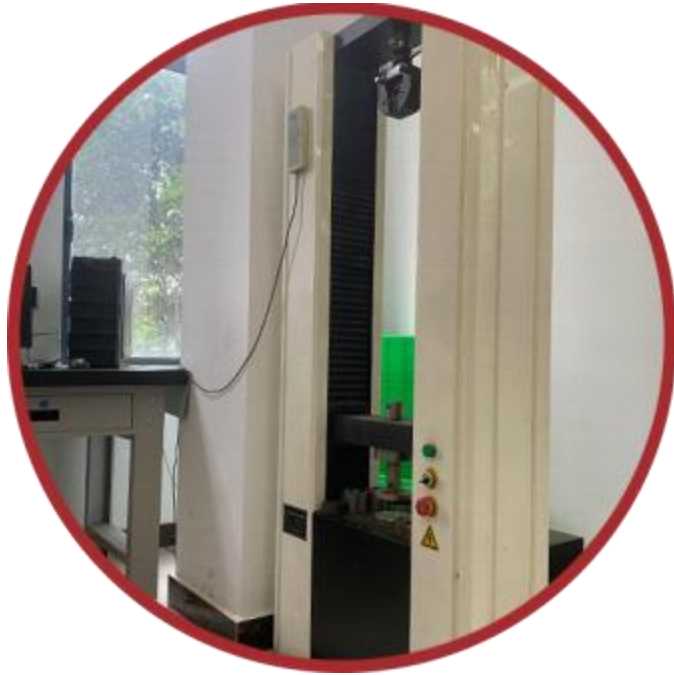
Identify and analyze the organizational structure of various metallic and non-metallic substances



Optical image measuring instrument

Projection inspection of various parts size and shape

| Manufacturing - Testing Equipment 2



Microcomputer controlled electronic universal testing machine

Component tensile test



Programmable constant temperature and humidity test chamber

Constant temperature testing of various products and parts

| Manufacturing - F30G nailing test



| Production Line



Fully automatic assembly line



Automatic polishing equipment

| Warehouse



Warehouse display



Processing workshop display

Product Application—Air Nail Gun Types



Brad Nailer



Concrete Nailer



Air Stapler



Pin Nailer



2 in 1 Nailer



Coil Nailer



Insulation Nailer



Nail Puller



Nail Puncher



Air screwdriver

| F30G Brad Nailer—— Technical parameters

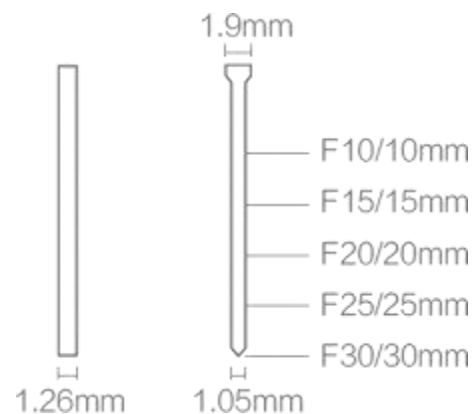


防卡钉弹夹设计

F30G

直钉枪 / Straight Nail Gun

Quick jam release design allows you to work efficiently and smoothly



技术参数 Technical Parameters

工作气压 / Working Pressure: 0.45-0.75MPa
 适用钉子长度 / Nail Length: 10-30mm
 气管内径 / Tracheal inner diameter: 8mm

钉槽容量 / Capacity: 100 根
 钉子类型 / Nail type: 直钉
 重量 / Weight: 1.1kg

| F30G—Pneumatic nail gun features:



1. The product's impact frequency is greater than 200 times/min under operating air pressure;
2. Firing pin solid wood test: the head can continue to be used after 380,000 times;
3. Nitrile rubber buffer pad, air-impact test life is more than 300,000 times (test conditions: normal temperature, 0.7MPa, strike frequency 100 times/min);
4. Open structure magazine, easy to install and troubleshoot;
5. Nail jam rate in real nail test: less than 0.5 times/10,000 times under 100,000 times;
6. The surface of the magazine is hard anodized and has good wear resistance.

| Patent Certificate



Honor Certificate





THANK YOU FOR ATTENTION

ZOJAR 中杰®

中杰杰鼎实业有限公司
ZHONGJIE JIEDING INDUSTRIAL CO.,LTD.

Tel: 0571-8863 6666

Email: sales01@chzjld.com

Http: www.zojar.com

