

# IMOUM LIVE



[WWW.IMOUM.COM](http://WWW.IMOUM.COM)  
support@imoum.com



WhatsApp



WeChat

IMOUM LIVE

@imoumlive

@imoumlive

@IMOUM LIVE

@IMOUM LIVE

**IMOUM**  
LIVE  
CHANGING GARDEN WORK

# BRUSHLESS TOOLS



20V  
LITHIUM PLATFORM

[WWW.IMOUM.COM](http://WWW.IMOUM.COM)  
support@imoum.com



WhatsApp



WeChat

# ABOUT US

IMOURLIVE is a professional-grade brand engaged in decades of tool research and development, with a young and energetic team of experienced R&D engineers and marketing elites, committed to providing innovative, convenient, and high-cost garden tool products to improve users' garden repair experience through professional and innovative technology with high quality service.

Up to now, IMOURLIVE provides products worldwide and has expanded to more than 10 countries or regions such as USA, Canada, Germany, Italy, France, Spain, Australia and Japan.



# CONTENT

01 Chainsaw Series

07 Electric Scissors Series

09 Hedge Trimmer

10 String Trimmers Series

11 Accessories Series - Pole

13 Accessories Series - Battery



US



EU



CN



CN



**12 INCH MINI CHAINSAW**

MODEL NO. DLJ12

|                      |                |                |            |
|----------------------|----------------|----------------|------------|
| MAX.CUTTING DIAMETER | 300mm          | WEIGHT         | 2.5KG      |
| POWER                | 1100W          | CURRENT        | 50A        |
| BATTERY CAPACITY     | 21v 5.0AH 92Wh | CHARGER OUTPUT | 21.6V 1.5A |

MAX 20V NEW!



MAX 20V NEW!



**6 INCH MINI CHAINSAW**

MODEL NO. DLJT6

|                      |                |                |          |
|----------------------|----------------|----------------|----------|
| MAX.CUTTING DIAMETER | 140mm          | WEIGHT         | 1KG      |
| POWER                | 200W           | CURRENT        | 20A      |
| BATTERY CAPACITY     | 21v 1.5AH 27Wh | CHARGER OUTPUT | 21.6V 1A |

**12"**  
**CUTTING**  
**LENGTH**



Brushless motor

Long life High torsion

Lightweight and compact

Elderly and women friendly



MAX 20V



**4 INCH MINI CHAINSAW**

MODEL NO. DLJ04

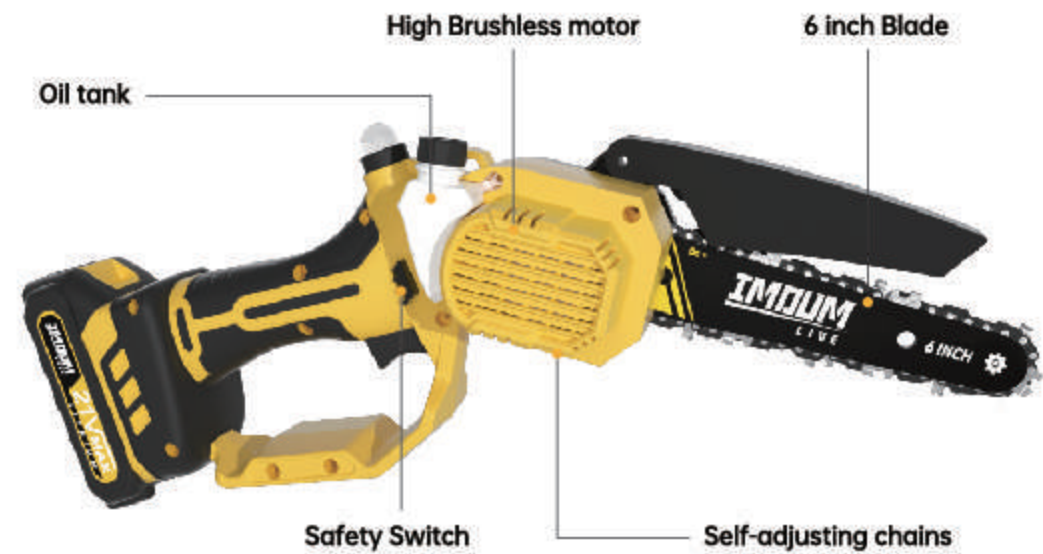
|                      |                |                |          |
|----------------------|----------------|----------------|----------|
| MAX.CUTTING DIAMETER | 100mm          | WEIGHT         | 1.1KG    |
| POWER                | 400W           | CURRENT        | 25A      |
| BATTERY CAPACITY     | 21v 2.0AH 37Wh | CHARGER OUTPUT | 21.6V 1A |

**6 INCH MINI CHAINSAW**

MODEL NO. DLJS6

|                      |                |                |          |
|----------------------|----------------|----------------|----------|
| MAX.CUTTING DIAMETER | 140mm          | WEIGHT         | 1.4KG    |
| POWER                | 700W           | CURRENT        | 35A      |
| BATTERY CAPACITY     | 21v 3.0AH 55Wh | CHARGER OUTPUT | 21.6V 1A |

MAX 20V



Brushless motor

Long life High torsion

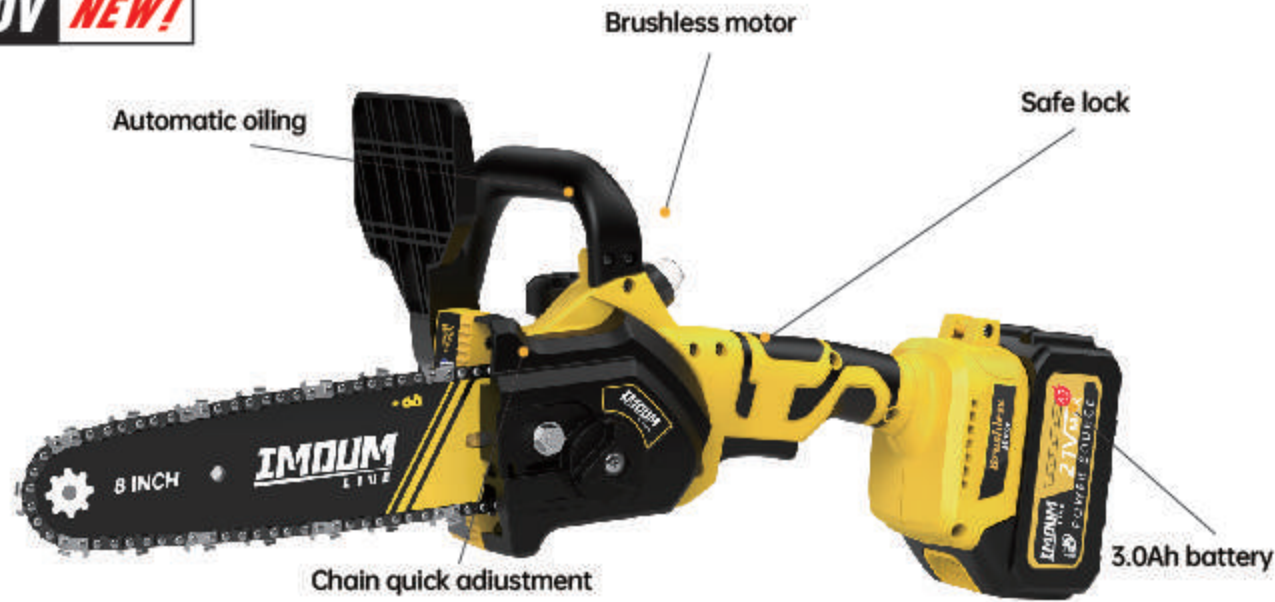
Lubrication System

Self-adjusting chains





RELATED VOLTAGE **MAX 20V** **NEW!**



**8 INCH MINI CHAINSAW**

MODEL NO. DLJS8

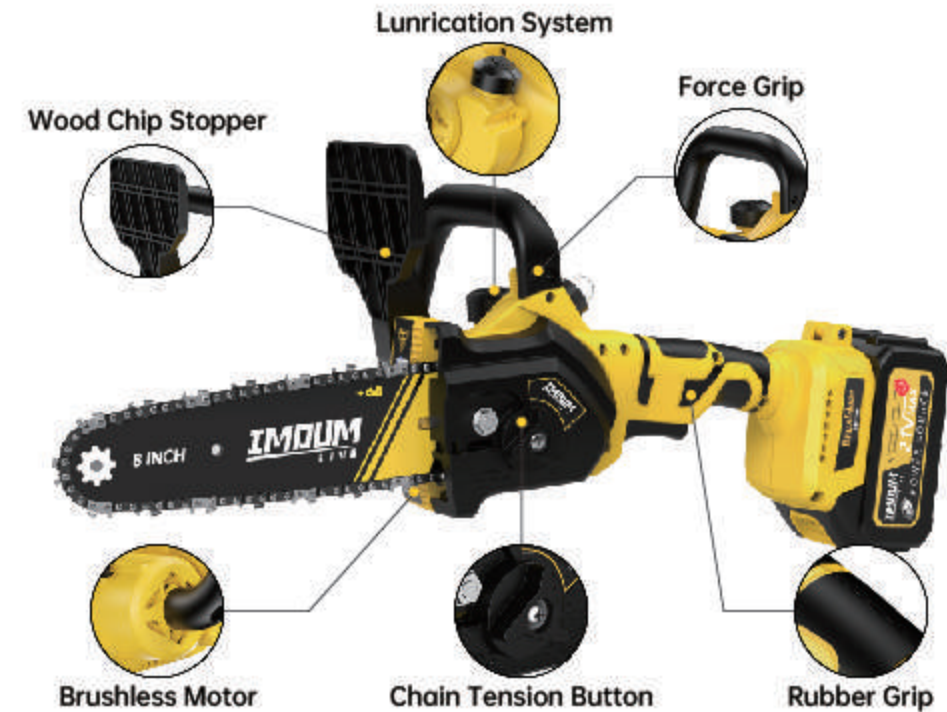
|                      |                |                |            |
|----------------------|----------------|----------------|------------|
| MAX.CUTTING DIAMETER | 170mm          | WEIGHT         | 2KG        |
| POWER                | 950W           | CURRENT        | 40A        |
| BATTERY CAPACITY     | 21v 3.0AH 55Wh | CHARGER OUTPUT | 21.6V 1.5A |

**8 INCH MINI CHAINSAW**

MODEL NO. DLJ08

|                      |                |                |            |
|----------------------|----------------|----------------|------------|
| MAX.CUTTING DIAMETER | 170mm          | WEIGHT         | 2KG        |
| POWER                | 900W           | CURRENT        | 40A        |
| BATTERY CAPACITY     | 21v 3.0AH 55Wh | CHARGER OUTPUT | 21.6V 1.5A |

RELATED VOLTAGE **MAX 20V**



- Over Temperature Protection
- Longer Motor Lifetime
- 75 Db Low Noise Operation

# 20MM-30MM CORDLESS ELECTRIC PRUNING SHEAR

- BRUSHLESS MOTOR
- CUTTING RANGE
- 0.8S SUPER FAST
- LIGHTWEIGHT
- SK5 1 EXTRA GIFT

MORE POWER, MORE EFFICIENT PRUNING



MAX 20V



## 2.0 ELECTRIC SCISSORS

MODEL NO. DJD20

|                      |                |                |          |
|----------------------|----------------|----------------|----------|
| MAX.CUTTING DIAMETER | 25mm           | WEIGHT         | 1KG      |
| POWER                | 150W           | CURRENT        | 20A      |
| BATTERY CAPACITY     | 21v 2.0AH 37Wh | CHARGER OUTPUT | 21.6V 1A |

## 3.0 ELECTRIC SCISSORS

MODEL NO. DJD30

|                      |                |                |          |
|----------------------|----------------|----------------|----------|
| MAX.CUTTING DIAMETER | 30mm           | WEIGHT         | 1.25KG   |
| POWER                | 200W           | CURRENT        | 30A      |
| BATTERY CAPACITY     | 21v 2.0AH 37Wh | CHARGER OUTPUT | 21.6V 1A |

MAX 20V NEW!



# 20MM-30MM CORDLESS ELECTRIC PRUNING SHEAR

- EFFICIENT PRUNING
- POWERFUL BRUSHLESS MOTOR
- SK5 STEEL BLADE
- LONG WORKING TIME

MORE POWER, MORE EFFICIENT PRUNING



CUTS UP TO  
**3/4 IN. THICK**



MAX 20V



**20 INCH HEDGE TRIMMER**

MODEL NO. LLJ50

|                      |                |                |                   |
|----------------------|----------------|----------------|-------------------|
| MAX.CUTTING DIAMETER | 20Inch         | WEIGHT         | 2KG               |
| POWER                | 120W           | SPM            | 2000/2500/3000min |
| BATTERY CAPACITY     | 21v 2.0AH 37Wh | CHARGER OUTPUT | 21.6V 1A          |

**15 INCH STRING TRIMMER**

MODEL NO. DCJ15

|                      |                |                |            |
|----------------------|----------------|----------------|------------|
| MAX.CUTTING DIAMETER | 15 Inch        | SPEED          | 3200R/MIN  |
| POWER                | 700W           | CURRENT        | 40A        |
| BATTERY CAPACITY     | 21v 4.0AH 74Wh | CHARGER OUTPUT | 21.6V 1.5A |

MAX 20V NEW!



**15" CUTTING SWATH**



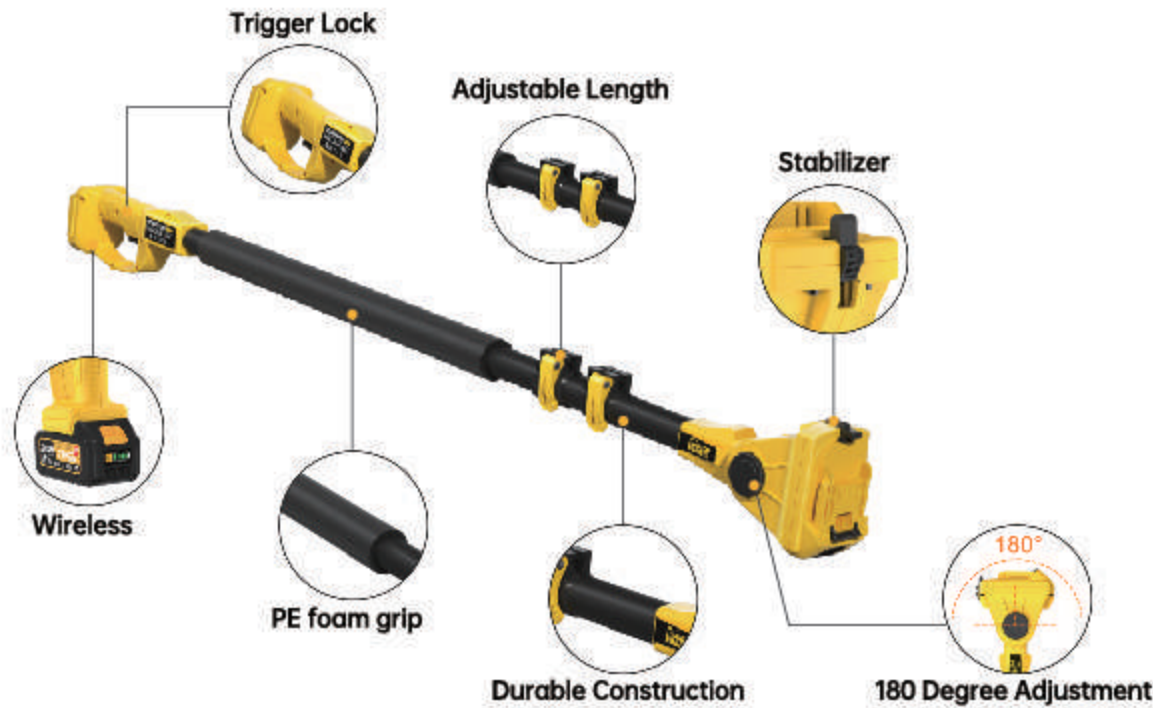
**IMOUM**  
LIVE

20V<sup>MAX</sup>  
LITHIUM ION UP  
BRUSHLESS

**EXTENSION  
POLE**



\*Maximum initial battery voltage (measured without a workload) is 21 volts. Nominal voltage is 18 volts.



SUITABLE FOR THE FOLLOWING PRODUCTS



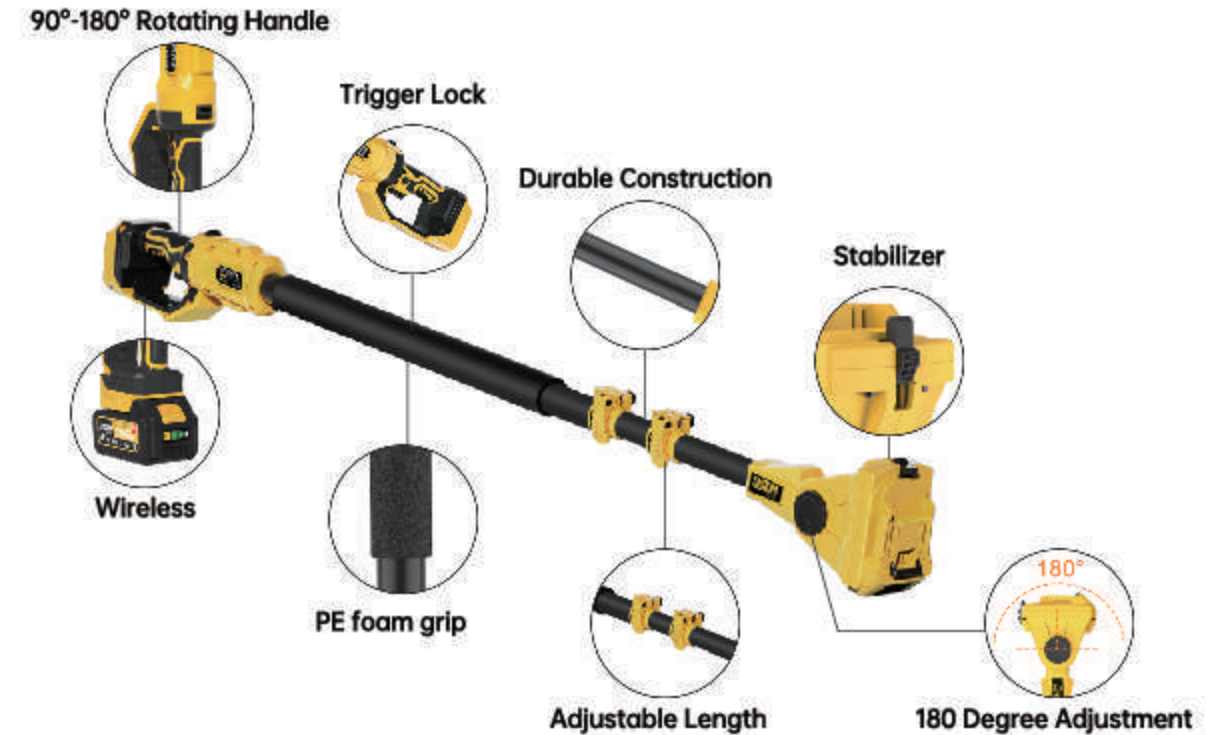
**IMOUM**  
LIVE

20V<sup>MAX</sup>  
LITHIUM ION UP  
BRUSHLESS

**ROTATING  
POLE**



Cordless Hedge Trimmer & telescopic pole combination, the telescopic pole can extend from 4.6 feet to 9 feet, greatly extending to your trim distance



SUITABLE FOR THE FOLLOWING PRODUCTS





# 21V 2.0AH BATTERY

**IMOUM**  
LIVE



- Over-charge protection
- Over-heating protection
- Over-discharge protection
- Over-current protection
- Over-voltage protection



# 21V 3.0AH BATTERY 21V 4.0AH BATTERY 21V 5.0AH BATTERY

**IMOUM**  
LIVE



## MESSAGE BOARD

**IMDUM**  
LIVE